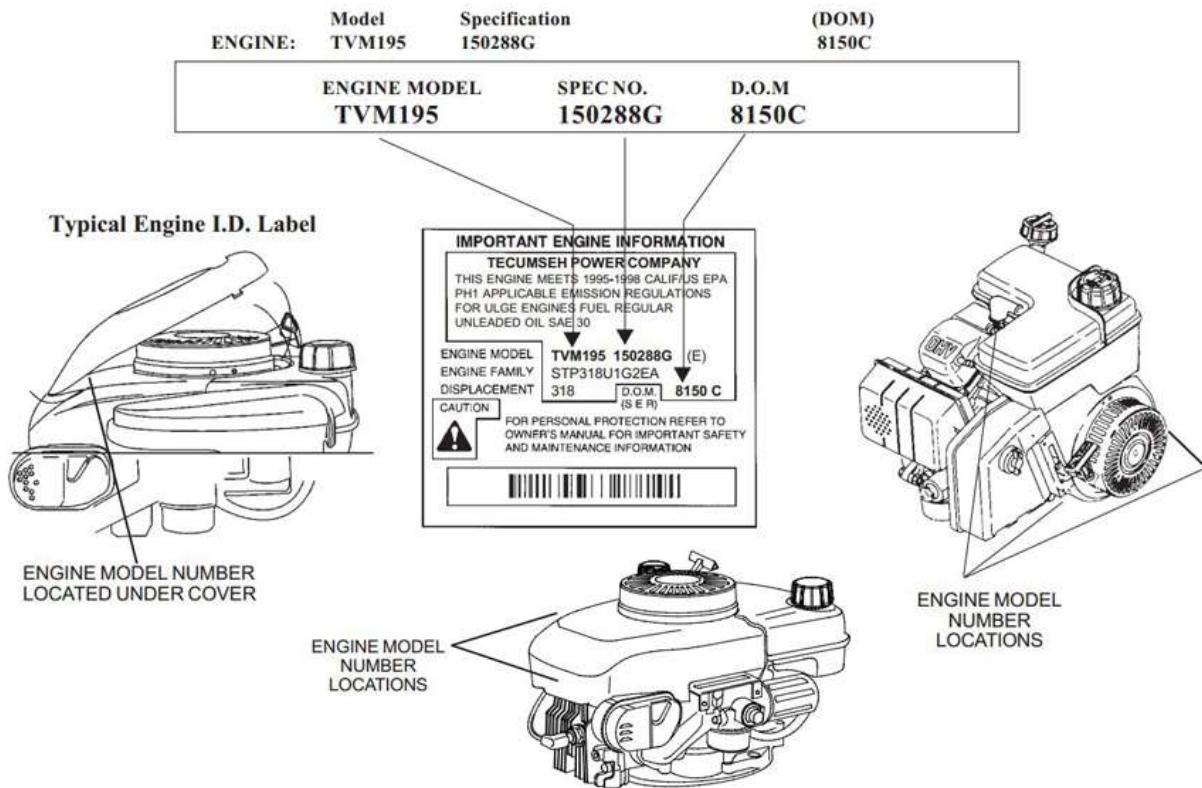


## TECUMSEH MODEL AND SPEC NUMBER LOCATIONS

# Tecumseh Model Numbering System (2004 production and later)

Locating and reading engine model and specification for Tecumseh's full engine line - 2004 production and later. The model number, spec number, date-of-manufacture and other engine related information will be printed on an I.D label on the engine.



# Reviewing the Engine ID Label

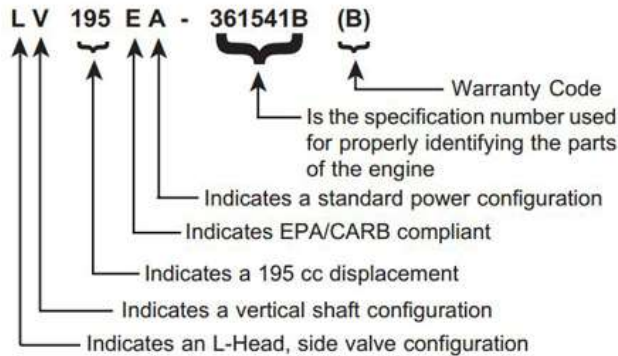
The following will explain the information contained on the ID label for Tecumseh engines manufactured in 2004 and later. Write down the model, spec, and date-of-manufacture number once you locate the label.

### Specification Number

The numbers following the model number make up the specification number.

Using model **LV195EA-361541B**, as an example, interpretation is as follows:

LV195EA-361541B is the model and specification number.



### Date of Manufacture

The Date of Manufacture (D.O.M.) indicates the production date.

For this example, **03188BC0010** is the D.O.M. (Date of Manufacture).

Year	Day of Year	Mfg Facility	Assembly Line / Shift	Individual Serial #
2003	188th	B	C	10th unit built
<b>03</b>	<b>188</b>	<b>B</b>	<b>C</b>	<b>0010</b>